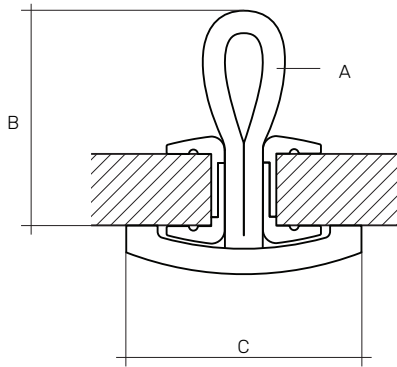


ROPEYE PRO

The NEW Ropeye Pro comes with a curved pad which distributes live loads evenly across the profile and results in greater strength.



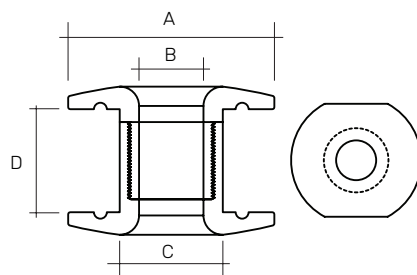
PADEYE



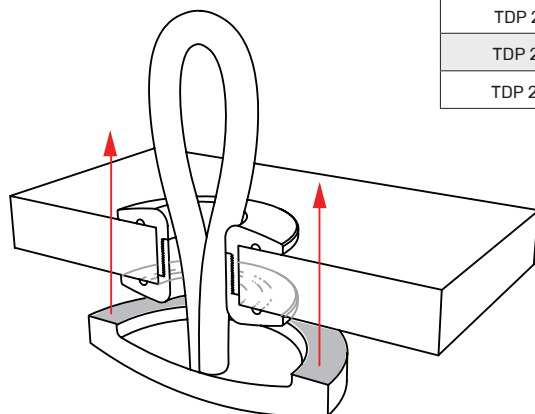
ROPEYE PRO C/B-A	A Rope mm	B Loop mm	C Pad mm	Weight /g	Max Breaking Load kg	Safe Working Load kg	Suitable TDP for loop
ROPEYE PRO 50/40-4	4	40	50	17.5	2200	1100	TDP 10
ROPEYE PRO 50/60-4	4	60	50	18.5	2200	1100	TDP 10
ROPEYE PRO 50/80-4	4	80	50	19.5	2200	1100	TDP 10
ROPEYE PRO 60/60-6	6	60	60	30	4400	2200	TDP 14
ROPEYE PRO 60/80-6	6	80	60	32	4400	2200	TDP 14
ROPEYE PRO 60/100-6	6	100	60	33	4400	2200	TDP 14
ROPEYE PRO 70/80-8	8	80	70	50.5	7000	3500	TDP 18
ROPEYE PRO 70/100-8	8	100	70	53	7000	3500	TDP 18
ROPEYE PRO 70/120-8	8	120	70	55	7000	3500	TDP 18

NB! ALL PRODUCTS AVAILABLE IN GLASS FIBRE

DOUBLE TDP



TDP B/D	A Head dia mm	B Inner dia mm	C Outer dia mm	D Length mm	Weight /g	Material
TDP 16/10-12	32	10	16	10-12	12.5	Aluminium
TDP 16/12-16	32	10	16	12-16	13	Aluminium
TDP 16/16-22	32	10	16	16-22	15	Aluminium
TDP 16/22-30	32	10	16	22-30	16.5	Aluminium
TDP 20/10-12	40	14	20	10-12	22.5	Aluminium
TDP 20/12-16	40	14	20	12-16	23.5	Aluminium
TDP 20/16-22	40	14	20	16-22	26	Aluminium
TDP 20/22-30	40	14	20	22-30	29	Aluminium
TDP 24/10-12	48	18	24	10-12	35.5	Aluminium
TDP 24/12-16	48	18	24	12-16	37	Aluminium
TDP 24/16-22	48	18	24	16-22	40	Aluminium
TDP 24/22-30	48	18	24	22-30	45	Aluminium



© Ropeye is a registered trademark. All rights reserved.
Ropeye technological design is patented.

www.ropeye.com