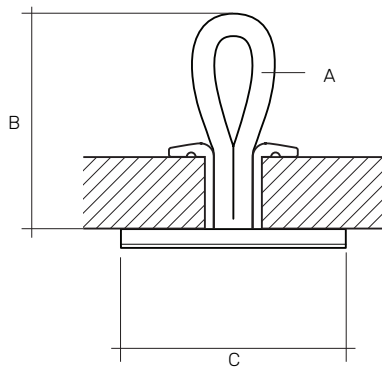


ROPEYE LOOP

Ropeye Single Braid and Double Braid Loops are scientifically and practically tested and proven. The products provide stable quality and maximum durability for heavy loads.



PADEYE

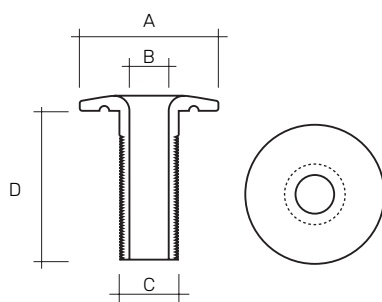


ROPEYE LOOP B-A	A Rope mm	B Loop mm	C Pad mm	Weight /g	Max Breaking Load kg	Safe Working Load kg	Suitable TDP for	
							*U	*C
ROPEYE LOOP 40-4	4	40	50	15	1900	800	TDP12	TDP14
ROPEYE LOOP 60-4	4	60	50	16.5	1900	800	TDP12	TDP14
ROPEYE LOOP 80-4	4	80	50	17	1900	800	TDP12	TDP14
ROPEYE LOOP 40-5	5	40	50	15.5	2900	1450	TDP14	TDP16
ROPEYE LOOP 60-5	5	60	50	16.5	2900	1450	TDP14	TDP16
ROPEYE LOOP 80-5	5	80	50	17.5	2900	1450	TDP14	TDP16
ROPEYE LOOP 40-6	6	40	60	27.5	3900	1950	TDP16	TDP18
ROPEYE LOOP 60-6	6	60	60	28	3900	1950	TDP16	TDP18
ROPEYE LOOP 80-6	6	80	60	30.5	3900	1950	TDP16	TDP18

* U - Uncovered rope * C - Covered rope

NB! ALL PRODUCTS AVAILABLE IN GLASS FIBRE

TDP



TDP C	A Head dia mm	B Inner dia mm	C Outer dia mm	D Length mm	Weight /g	Material
TDP12	28	8	12	30	8.2	Anodised Aluminium
TDP14	30	10	14	30	10	Anodised Aluminium
TDP16	32	12	16	30	11.5	Anodised Aluminium
TDP18	34	14	18	30	12.3	Anodised Aluminium



© Ropeye is a registered trademark. All rights reserved.
Ropeye technological design is patented.

www.ropeye.com